

POMPE VERTICALE PLASTIQUE VP



PRESENTATION

Les pompes centrifuges verticales VP sont destinées au transfert des liquides clairs ou légèrement chargés dans les secteurs les plus divers de l'industrie.

Suivant les conditions d'implantation requises, les longueurs des pompes verticales VP s'adaptent à votre besoin jusqu'à 2000 mm. La gamme des pompes de la série VP offre des débits jusqu'à 250 m³/h et une hauteur manométrique de 65 mcl.

Elles viennent en complément de la série VLP (Fiche produit 18.01).

PRINCIPAUX AVANTAGES

- Moteurs normalisés CEI
- Solution économique pour les fosses de grandes dimensions ou très profondes
- Roue ouverte acceptant des MES
- Palier supérieur de construction robuste
- Palier inférieur lubrifié par le fluide pompé
- Roue VORTEX en option
- Montage cantilever (option)
- Montage sur flotteur (option)

UTILISATION

- Vidange des bains usés ou transfert des solutions acides et alcalines
- Bassins de lagunage
- Piscines de lixiviation
- Laveurs de gaz
- Stations de traitements des eaux

MATERIAUX

Hydraulique entièrement réalisée en matériaux plastiques de fortes épaisseurs usinées dans la masse.

Aucune pièce métallique n'est en contact avec le fluide véhiculé.

HYDRAULIQUE	JOINTS
PP / PP-EL	EPDM
PVDF / PVDF-EL	VITON®
PEHD / PEHD-EL	VITON VAC®

CONFORMITE ATEX

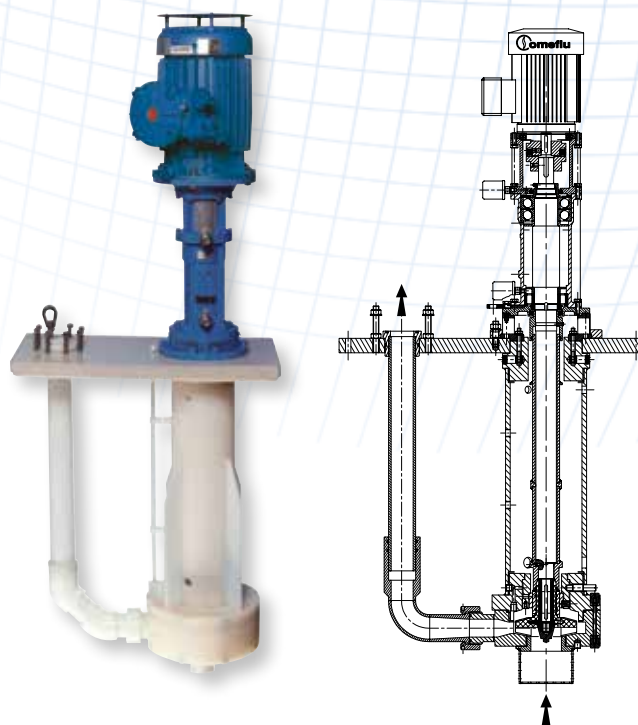
Pour la zone CE, toutes les pompes VP sont disponibles en versions certifiées ATEX.

- Ex II 2/3 G/GD c IIB/IIC T4 (autres sur demande)

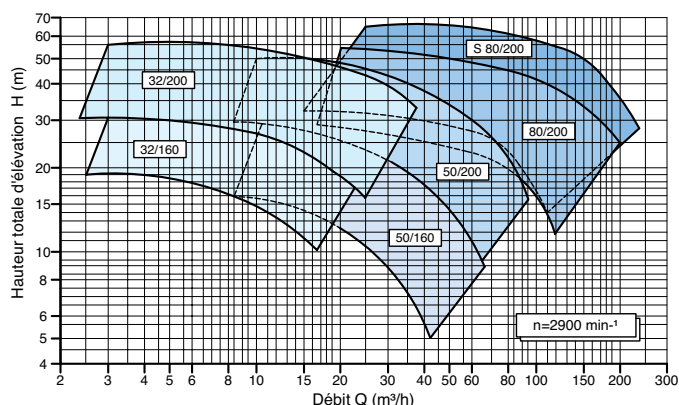
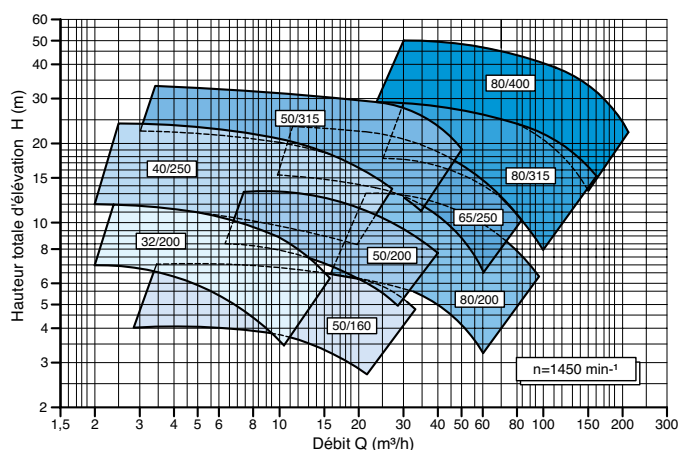
CARACTERISTIQUES

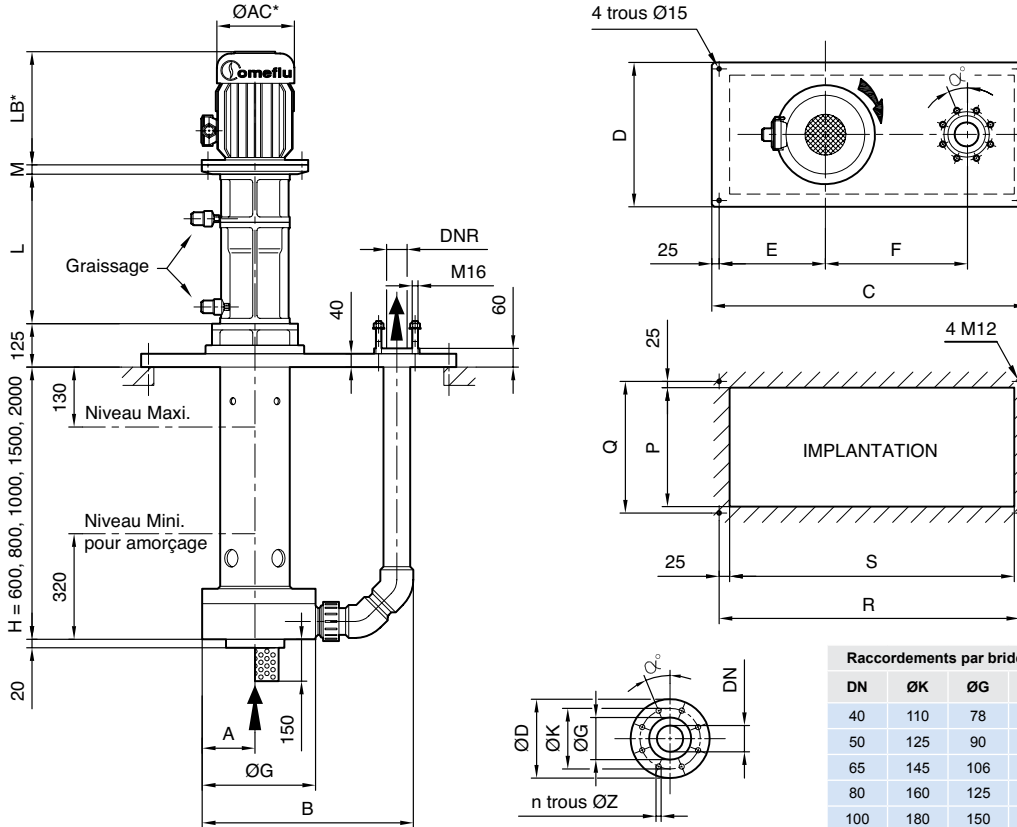
Performance en 50 Hz

- De 1 à 250 m³/h
- De 1 à 65 mcl
- Température de service de -20°C à 120°C



DIAGRAMMES





Raccordements par brides tournantes ISO PN16					
DN	ØK	ØG	n	ØZ	α°
40	110	78	4	18	45°
50	125	90	"	"	"
65	145	106	"	"	"
80	160	125	8	"	22°30'
100	180	150	"	"	"
125	210	175	"	"	"

Type	Moteur		DNR	Encombrement													Découpe d'implantation								
	P (kW)	Taille		LB*	M	Dimensions pompes					Hauteur réelle			D	C	E					F	P	S	Q	R
						H=600	H=800	H=1000	H=1500	H=2000	Vortex	H+	Normale				A	ØG	B	ØAC*					
32/160	2.900	1450	40	245	10	470	470	470	470	470	19	5	150	300	525	190	490	850	250	340	390	750	440	800	
	3	2,2 / 3		309	15	"	"	"	"	"	"	"	"	"	"	200	"	"	"	"	"	"	"	"	
	4	"		112M	15	"	"	"	"	"	"	"	"	"	"	"	"	"	"	"	"	"	"	"	"
32/200	5,5 / 7,5	132S	40	377	35	"	"	"	"	"	"	"	"	"	220	"	"	"	"	"	"	"	"	"	
	11	160M		468	65	"	"	"	"	"	"	"	"	"	264	"	"	"	"	"	"	"	"	"	"
	15	160L		495	65	"	"	"	"	"	"	"	"	"	312	"	"	"	"	"	"	"	"	"	"
40/250	1,5	90L	50	245	10	470	470	470	470	470	17	5	163	326	540	190	490	850	250	340	390	750	440	800	
	2,2 / 3	100L		309	15	"	"	"	"	"	"	"	"	"	"	200	"	"	"	"	"	"	"	"	"
	4	112M		15	"	"	"	"	"	"	"	"	"	"	"	"	"	"	"	"	"	"	"	"	"
50/160	5,5 / 7,5	132S	65	377	35	"	"	"	"	"	"	"	"	"	220	"	"	"	"	"	"	"	"	"	
	11	160M		468	65	"	"	"	"	"	"	"	"	"	264	"	"	"	"	"	"	"	"	"	"
	15 / 18,5	160L		"	"	"	"	"	"	"	"	"	"	"	312	"	"	"	"	"	"	"	"	"	"
50/200	2,2 / 3	100L	65	309	15	470	470	470	470	470	27	15	163	326	615	200	490	850	250	400	390	750	440	800	
	4	112M		15	"	"	"	"	"	"	"	"	"	"	"	"	"	"	"	"	"	"	"	"	"
	7,5	132S		377	35	"	"	"	"	"	"	"	"	"	"	220	"	"	"	"	"	"	"	"	"
50/315	11	132M	65	385	35	"	"	"	"	"	"	"	"	"	265	"	"	"	"	"	"	"	"	"	"
	15	160M		468	65	"	"	"	"	"	"	"	"	"	264	"	"	"	"	"	"	"	"	"	"
	18,5	160L		495	65	"	"	"	"	"	"	"	"	"	312	"	"	"	"	"	"	"	"	"	"
65/250	5,5 / 7,5	132S	80	377	35	"	"	"	"	"	"	"	"	"	220	"	"	"	"	"	"	"	"	"	"
	11	160M		468	65	"	"	"	"	"	"	"	"	"	264	"	"	"	"	"	"	"	"	"	"
	15	160L		495	65	"	"	"	"	"	"	"	"	"	312	"	"	"	"	"	"	"	"	"	"
80/200	3	100L	100	309	15	470	470	470	470	470	42	30	190	410	765	200	590	990	270	500	490	890	540	940	
	4	112M		15	"	"	"	"	"	"	"	"	"	"	"	"	"	"	"	"	"	"	"	"	"
	7,5	132S		377	35	"	"	"	"	"	"	"	"	"	220	"	"	"	"	"	"	"	"	"	"
80/315	11	132M	100	385	35	"	"	"	"	"	"	"	"	"	265	"	"	"	"	"	"	"	"	"	"
	15	160M		468	65	"	"	"	"	"	"	"	"	"	264	"	"	"	"	"	"	"	"	"	"
	18,5	160L		495	65	"	"	"	"	"	"	"	"	"	312	"	"	"	"	"	"	"	"	"	"
80/400	22	180MT	100	620	50	"	"	"	"	"	"	"	"	"	350	"	"	"	"	"	"	"	"	"	"
	30	200LR		620	50	"	"	"	"	"	"	"	"	"	390	"	"	"	"	"	"	"	"	"	"
	37	225ST		628	50	"	"	"	"	"	"	"	"	"	430	"	"	"	"	"	"	"	"	"	"
100/200	7,5	132M	125	385	35	470	470	686	686	686	50	35	240	520	880	690	1090	300	565	590	990	640	990		
	11	160M		468	65	"	"	"	"	"	"	"	"	"	264	"	"	"	"	"	"	"	"	"	"
	15	160L		495	65	"	"	"	"	"	"	"	"	"	312	"	"	"	"	"	"	"	"	"	"
100/315	18,5	180MT	100	620	50	"	"	"	"	"	"	"	"	"	350	"	"	"	"	"	"	"	"	"	
	30	200LR		620	50	"	"	"	"	"	"	"	"	"	390	"	"	"	"	"	"	"	"	"	"
	37	220LR		620	50	"	"	"	"	"	"	"	"	"	430	"	"	"	"	"	"	"	"	"	"

HD* et LB*: varient selon constructeurs